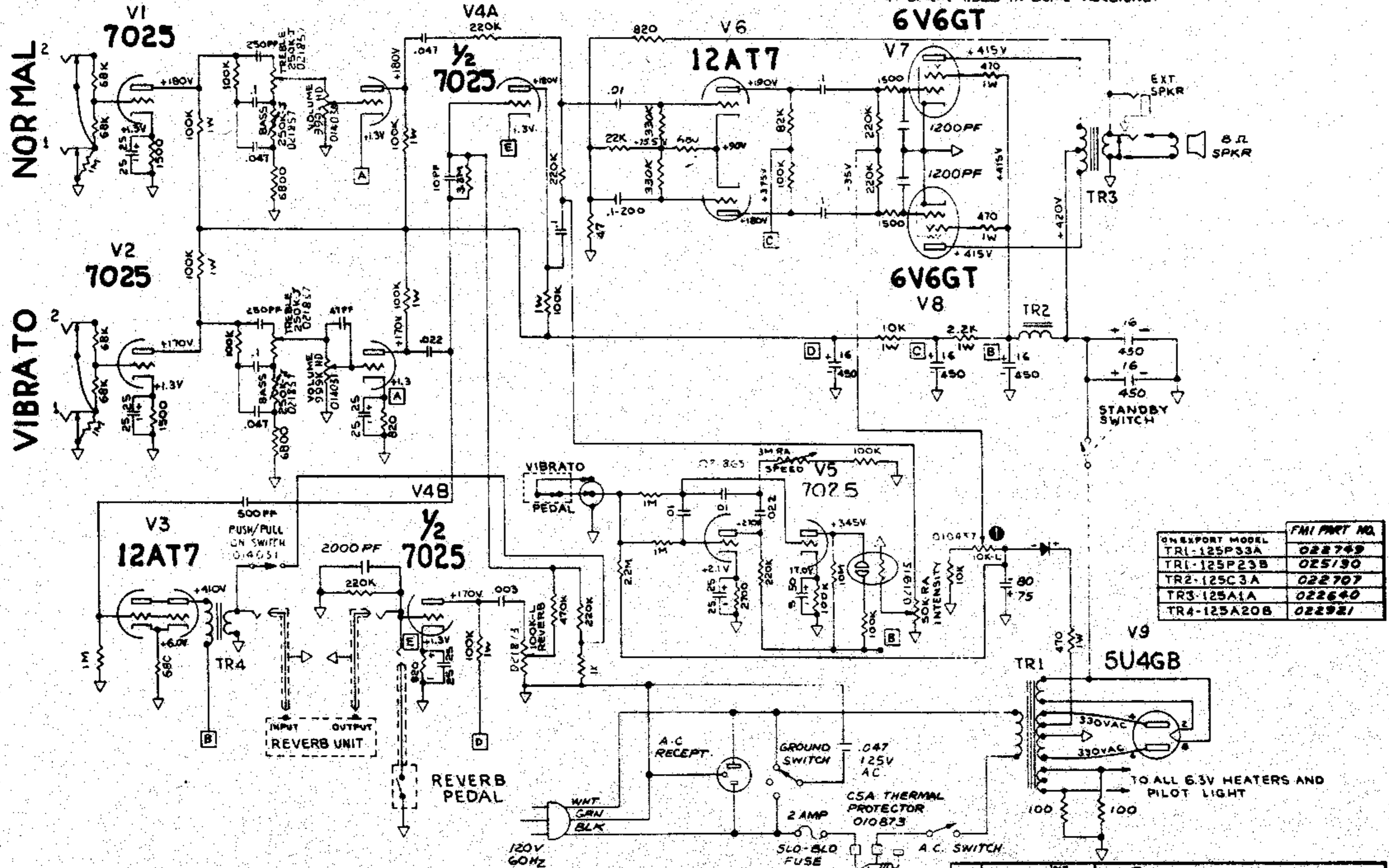


# FENDER "DELUXE REVERB-AMP MODEL

# SCHEMATIC NOTICE

THIS PRODUCT MANUFACTURED UNDER ONE OR MORE OF THE FOLLOWING U.S. PATENTS:  
CIRCUIT PATENT # 2817708, # 2913681  
DESIGN PATENT # 192859

- 1 - VOLTAGES READ TO GROUND WITH ELECTRONIC VOLT METER VALUES SHOWN + OR - 10%
- 2 - ALL RESISTORS 1/2 WATT 10% TOLERANCE IF NOT SPECIFIED
- 3 - ALL CAPACITORS AT LEAST 400 VOLT RATING IF NOT SPECIFIED
- 4 - 010873 USED IN SOME VERSIONS



GEN EXPORT MODEL	FMI PART NO.
TR1-125P33A	022749
TR1-125P23B	025190
TR2-125C3A	022707
TR3-125A1A	022640
TR4-125A20B	022921

OWN	EDN DCD	DATE	10-6-77
CHK			
APPD.			
APPD.			
APPD.			
APPROVAL-		REL. NO.	10/6-77 C
APPROVAL-		DWG. NO.	014641
		SCALE	MODEL DELUXE REV-AMP SHEET 1 OF 1

**Fender** MUSICAL INSTRUMENTS  
SANTA ANA, CALIFORNIA

DWG. TITLE  
**SCHEMATIC & WIRING DIAGRAM  
DELUXE REV-AMP (W/)  
VOLUME BOOST**