

FENDER "VIBROLUX" SCHEMATIC

MODEL 6G11-A D-FB

CIRCUIT PATENT #2817708

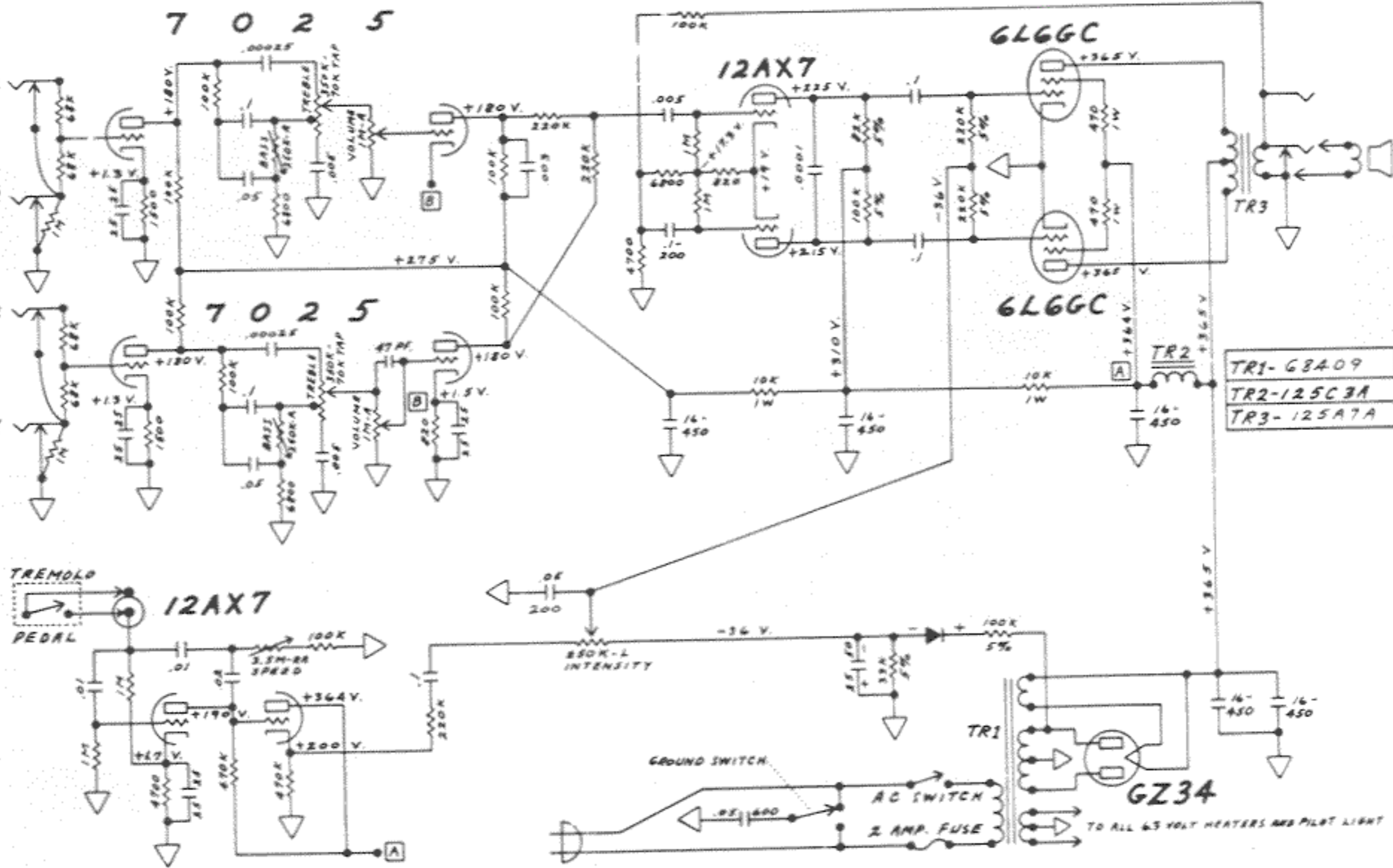
NOTICE

- 1- VOLTAGES READ TO GROUND WITH ELECTRONIC VOLTMETER. VALUES SHOWN + OR - 20%.
- 2- ALL RESISTORS 1/2 WATT, 10% TOLERANCE IF NOT SPECIFIED.
- 3- ALL CAPACITORS AT LEAST 400 VOLT RATING IF NOT SPECIFIED.

7 0 2 5

NORMAL

BRIGHT



TR1-68409
TR2-125C3A
TR3-125A7A

FENDER MUSICAL INSTRUMENTS
 A DIVISION OF COLUMBIA RECORD DISTRIBUTION CORP.
 SANTA ANA, CALIFORNIA
 U.S.A.