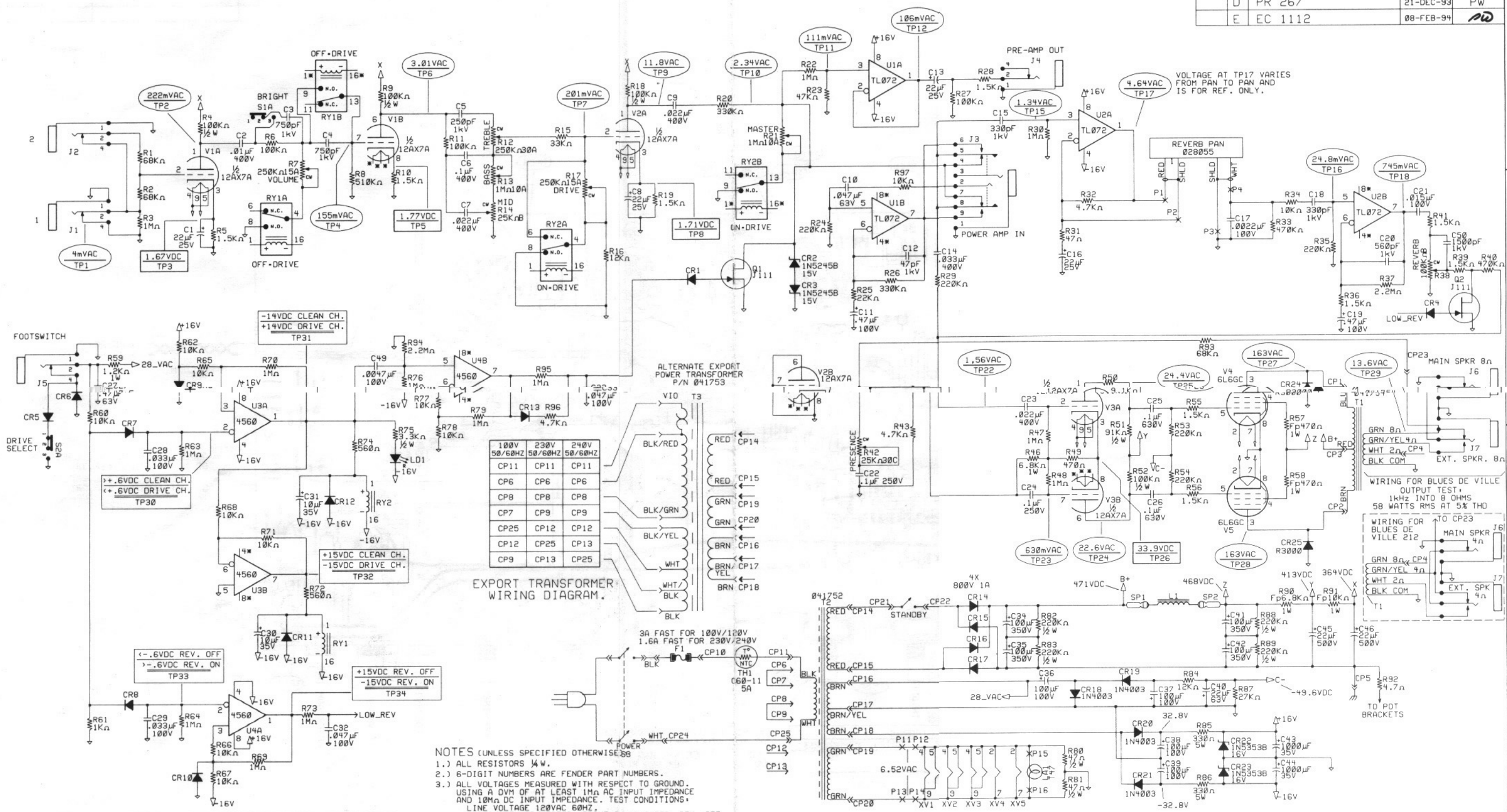


REVISIONS				
ZONE	REV.	DESCRIPTION	DATE	APPROVED
	A	RELEASED PR #247	17-SEP-93	PW
	B	EC 1067	11-NOV-93	PW
	C	EC 1084	09-DEC-93	PW
	D	PR 267	21-DEC-93	PW
	E	EC 1112	08-FEB-94	PW



EXPORT TRANSFORMER WIRING DIAGRAM.

100V	230V	240V
CP11	CP11	CP11
CP6	CP6	CP6
CP7	CP8	CP8
CP25	CP9	CP12
CP12	CP25	CP13
CP9	CP13	CP25

- NOTES (UNLESS SPECIFIED OTHERWISE)
- 1.) ALL RESISTORS 1/4W.
 - 2.) 6-DIGIT NUMBERS ARE FENDER PART NUMBERS.
 - 3.) ALL VOLTAGES MEASURED WITH RESPECT TO GROUND. USING A DVM OF AT LEAST 1MΩ AC INPUT IMPEDANCE AND 10MΩ DC INPUT IMPEDANCE. TEST CONDITIONS: LINE VOLTAGE 120VAC 60HZ. FOOTSWITCH CONNECTED, DRIVE CH SELECTED, REV. OFF ALL CONTROLS 50% ROT, EXCEPT REVERB 0%. SUPPLY AND BIAS VOLTAGES MAY VARY +5%, -10%. SIGNAL VOLTAGES MAY VARY ±20%.
 - 4.) X WITH INSTANCE NAME = FLYWIRE CONNECTION.
 - 5.) INSTANCES NOT USED: R44,45,C47,48,TP13,14.
 - 6.) LAST INSTANCES: RY2,L01,U4,Q2,T1,R97,C50,CR25,T2,S3,CP25 V5,LA1,P16,J7,F1.
 - 7.) ALL DIODES 1N4448.

DATABASE FILE: 2247S.OBF CHECKED BY: P.W. DATE: 2-10-94 APPROVED: P.W. DATE: 2-10-94 TOLERANCES: ±.050" X.XX ±.010" X.XXX ±.005" ANGLES ±.500"	PROPRIETARY THIS DRAWING DOCUMENT CONTAINS INFORMATION WHICH IS PROPRIETARY TO AND IS THE PROPERTY OF THE FENDER MUSICAL INSTRUMENTS CO. AND MAY NOT BE USED, REPRODUCED OR DISCLOSED IN ANY MANNER WITHOUT THE EXPRESSED WRITTEN CONSENT FROM: FENDER MUSICAL INSTRUMENTS CO. 1130 COLUMBIA STREET BRECA, CALIFORNIA 92621 ROCK ON.	FENDER MUSICAL INSTRUMENTS 1130 Columbia Street Breca, CA 92621 TITLE: SCHEMATIC DIAGRAM BLUES DE VILLE AND BLUES DE VILLE 212 SIZE: DRAWN: P.WIERS DAWING NUMBER: 047003 REV. E ENGR: P.WIERS CREATED: 03-SEP-93 PLOTTED: 08-FEB-94 SHEET 1 OF 1
---	--	--

PART NO. 0047004000 SHEET